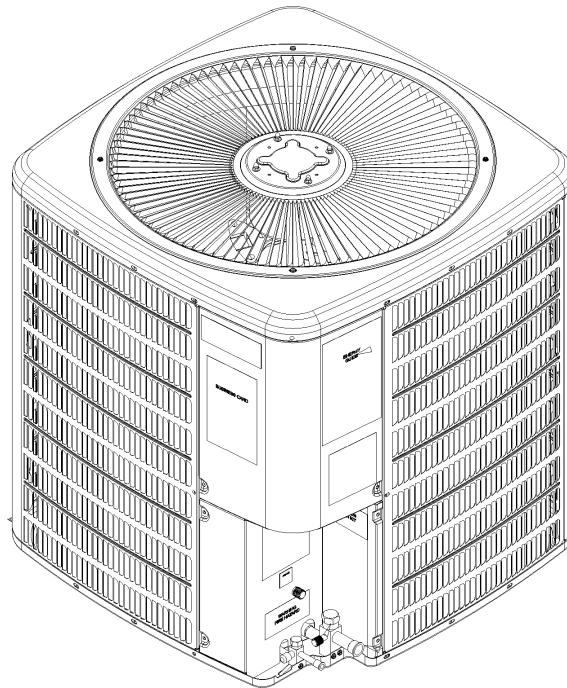


# REPAIR PARTS

---

## GSZ 13 SEER R410A Remote Heat Pumps

GSZ130181AB  
GSZ130241AB  
GSZ130301AB  
GSZ130361AB  
GSZ130421AB  
GSZ130481AB  
GSZ130601AB



Goodman Manufacturing Company, L.P.  
5151 San Felipe, Suite 500  
Houston, TX 77056

[www.goodmanmfg.com](http://www.goodmanmfg.com) [www.amana-hac.com](http://www.amana-hac.com)

RP-462  
August 2007

# Important Information

---

## Index

Functional Parts List .....	3
Illustration and Parts .....	4 - 9

*Views shown are for parts illustrations only, not servicing procedures*

This system uses R410A refrigerant. If sealed system work is required, use approved equipment and follow service procedures. Refer to Service Manual or Installation Instructions for service procedures.

### Text Codes:

AR - As Required

NA - Not Available

NS - Not Shown

00000000 - See Note

QTY - Quantity Example (QTY 3) (If Quantity not shown, Quantity = 1)

M - Model Example (M1) (If M Code not shown, then part is used on all Models)

### Expanded Model Nomenclature:

Example

M1 - Model#1

M2 - Model#2

M3 - Model#3

Goodman Manufacturing Company, L.P. is not responsible for personal injury or property damage resulting from improper service. Review all service information before beginning repairs.

Warranty service must be performed by an authorized technician, using authorized factory parts. If service is required after the warranty expires, Goodman Manufacturing Company, L.P. also recommends contacting an authorized technician and using authorized factory parts.

Goodman Manufacturing Company, L.P. reserves the right to discontinue, or change at any time, specifications or designs without notice or without incurring obligations.

For assistance within the U.S.A. contact:

Consumer Affairs Department

Goodman Manufacturing Company, L.P.

7401 Security Way

Houston, Texas 77040

877-254-4729-Telephone

713-863-2382-Facsimile

For assistance outside the U.S.A. contact:

International Division

Goodman Manufacturing Company, L.P.

7401 Security Way

Houston, Texas 77040

713-861-2500-Telephone

713-863-2382-Facsimile

# Functional Parts

**Part  
No:**

**Description:**

Part No:	Description:	Part No:	Description:
B1226206	ACCUMULATOR (M1, M2, M3)	0162M00068	FLOWRATOR-4 .188 ST TUBE .055 (M4)
B1226207	ACCUMULATOR (M5, M6, M7)	0162M00069	FLOWRATOR-4 .188 ST TUBE .059 (M5)
0151R00004P	ACCUMULATOR 3/4 (M4)	0162M00070	FLOWRATOR-6 .188 ST TUBE .059 (M6)
20485201	BI-FLOW FILTER DRIER	0162M00060	FLOWRATOR-8 .188 ST TUBE .065 (M7)
CAP050300370RS	CAPACITOR 5/30/370V (M1)	0131M00061S	MOTOR 1/4 HP, 1 SP, 8 PL (M4, M5, M6, M7)
CAP050400370RSS	CAPACITOR 5/40/370V (M2, M3)	0131M00060S	MOTOR 1/6 HP, 1 SP, 8 PL (M1, M2, M3)
CAP050450370RS	CAPACITOR 5/45/370V (M4, M5, M6)	B1219301	MUFFLER 1/2 X 1/2
CAP050700370RT	CAPACITOR 5/70/370V (M7)	B1227316S	REVERSING VALVE (M4)
ZP16K5EPFV830	COMPRESSOR 15500, 208/230/60/1 (M1)	B1227317S	REVERSING VALVE (M5, M6, M7)
ZP21K5EPFV830	COMPRESSOR 21300, 208/230/60/1 (M2)	B1227315S	REVERSING VALVE (M1, M2, M3)
ZP25K5EPFV830	COMPRESSOR 25200, 208/230/60/1 (M3)	0151R00002P	SERVICE VALVE 3/4" OPEN LEFT (M1, M2, M3, M4)
ZP31K5EPFV830	COMPRESSOR 31100, 208/230/60/1 (M4)	B12825171	SERVICE VALVE 3/8" OPEN
ZP36K5EPFV830	COMPRESSOR 36200, 208/230/60/1 (M5)	0151R00003P	SERVICE VALVE 7/8" OPEN LEFT (M5, M6, M7)
ZP39K5EPFV830	COMPRESSOR 39000, 208/230/60/1 (M6)	B1225022S	SOLENOID COIL
ZP51K5EPFV830	COMPRESSOR 51000, 208/230/60/1 (M7)	B1225020	SOLENOID COIL CORD W/1/4" TERMINAL
0159R00000P	COMPRESSOR SCROLL HARNESS 130 36" (M1, M2, M3)	B1787000	VALVE CORE
20048207	COMPRESSOR SCROLL HARNESS 130 42" (M4, M5, M6)		
0159R00002P	COMPRESSOR SCROLL HARNESS 130 46" (M7)		
0201R00154S	COND ASSY (M6)		
0201R00152S	COND ASSY (M5)		
0201R00151S	COND ASSY (M4)		
0201R00150S	COND ASSY (M1)		
0201R00157S	COND ASSY (M3)		
0201R00155	COND ASSY (M7)		
0201R00156S	COND ASSY (M2)		
CONT1P025024VS	CONTACTOR 25 AMP, 1P, 24V (M1, M2, M3, M4, M5)		
CONT1P030024V	CONTACTOR 30 AMP, 1P, 24V (M6, M7)		
20322603	CUTOUT SWITCH, HIGH PRESSURE		
0130R00001	CUTOUT SWITCH, LOW PRESSURE		
PCBDM101	DEFROST CONTROL BOARD		
B1370803	DEFROST THERMOSTAT		
B1789884	FLOW CHECK PISTON KIT (M6)		
B1789857	FLOW CHECK PISTON KIT (M2)		
B1789849	FLOW CHECK PISTON KIT (M1)		
B1789874	FLOW CHECK PISTON KIT (M5)		
B1789888	FLOW CHECK PISTON KIT (M7)		
B1789863	FLOW CHECK PISTON KIT (M3)		
B1789868	FLOW CHECK PISTON KIT (M4)		
0162M00057	FLOWRATOR-3 .188 ST TUBE .039 (M1)		
0162M00058	FLOWRATOR-3 .188 ST TUBE .043 (M2)		
0162M00059	FLOWRATOR-3 .188 ST TUBE .049 (M3)		

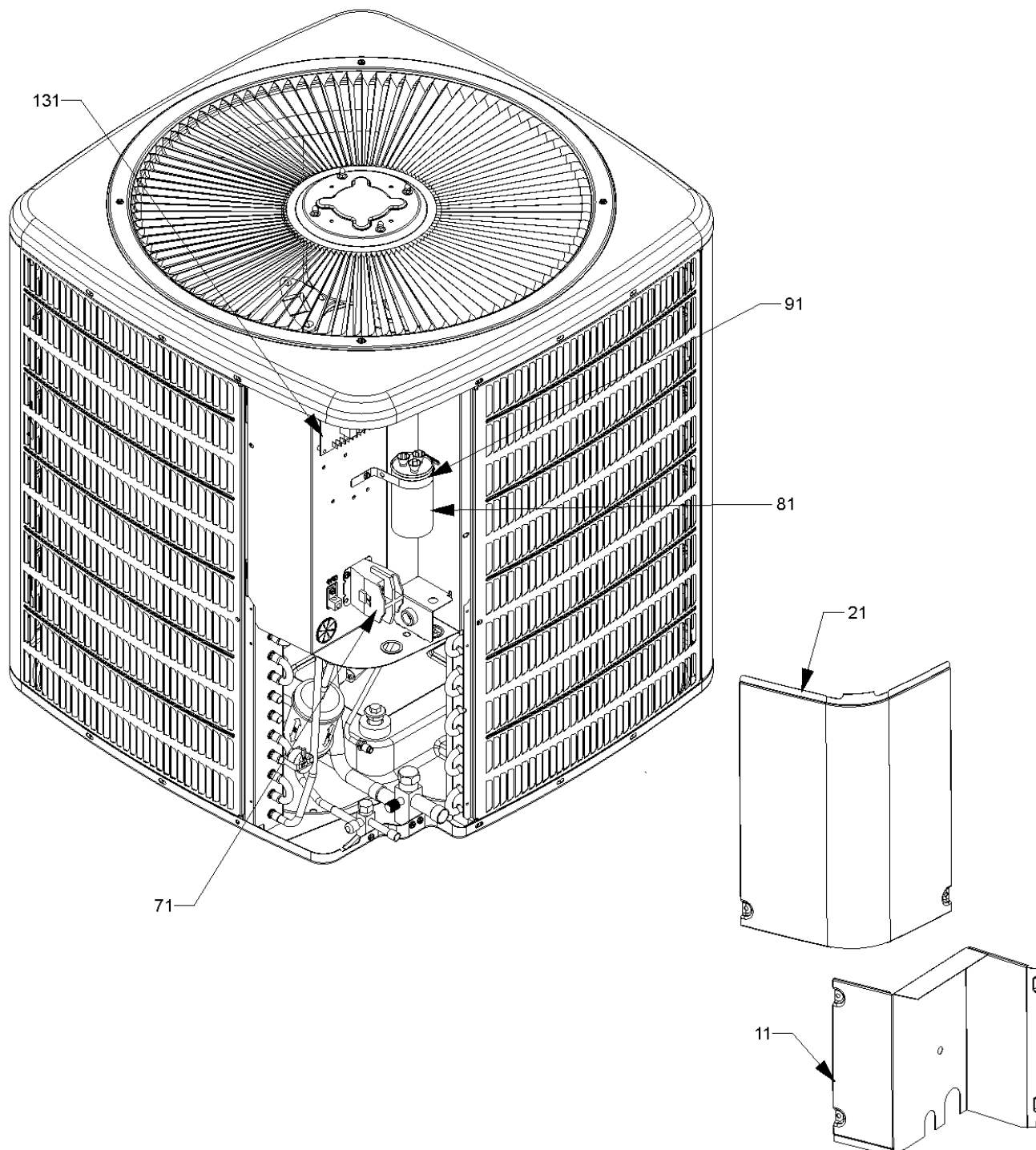
**SPECIAL PARTS**

- IO-259E           INSTALLATION INSTRUCTIONS
- 0161R00009P    NAMEPLATE
- RP-462           REPAIR PARTS MANUAL

Expanded Model Nomenclature

M1 - GSZ130181AB
M2 - GSZ130241AB
M3 - GSZ130301AB
M4 - GSZ130361AB
M5 - GSZ130421AB
M6 - GSZ130481AB
M7 - GSZ130601AB

# Control Cover / Control Box



# Control Cover / Control Box

Ref Part No:	Description:	Ref. Part No:	Description:
--------------	--------------	---------------	--------------

Image 1:

11	4400201PDG	ACCESS PANEL, LOWER (M1, M2, M3)
11	4400202PDG	ACCESS PANEL, LOWER (M6, M7)
11	4400205PDG	ACCESS PANEL, LOWER (M4, M5)
21	0121R00053PDG	CONTROL COVER SML
71	CONT1P025024VS	CONTACTOR 25 AMP, 1P, 24V (M1, M2, M3, M4, M5)
71	CONT1P030024V	CONTACTOR 30 AMP, 1P, 24V (M6, M7)
81	CAP050300370RS	CAPACITOR 5/30/370V (M1)
81	CAP050400370RSS	CAPACITOR 5/40/370V (M2, M3)
81	CAP050450370RS	CAPACITOR 5/45/370V (M4, M5, M6)
81	CAP050700370RT	CAPACITOR 5/70/370V (M7)
91	4400065	CAPACITOR STRAP
131	PCBDM101	DEFROST CONTROL BOARD
NS	0161R00009P	NAMEPLATE

Expanded Model Nomenclature

M1 - GSZ130181AB
M2 - GSZ130241AB
M3 - GSZ130301AB
M4 - GSZ130361AB
M5 - GSZ130421AB
M6 - GSZ130481AB
M7 - GSZ130601AB

# Compressor / Tubing Assembly

Image 1

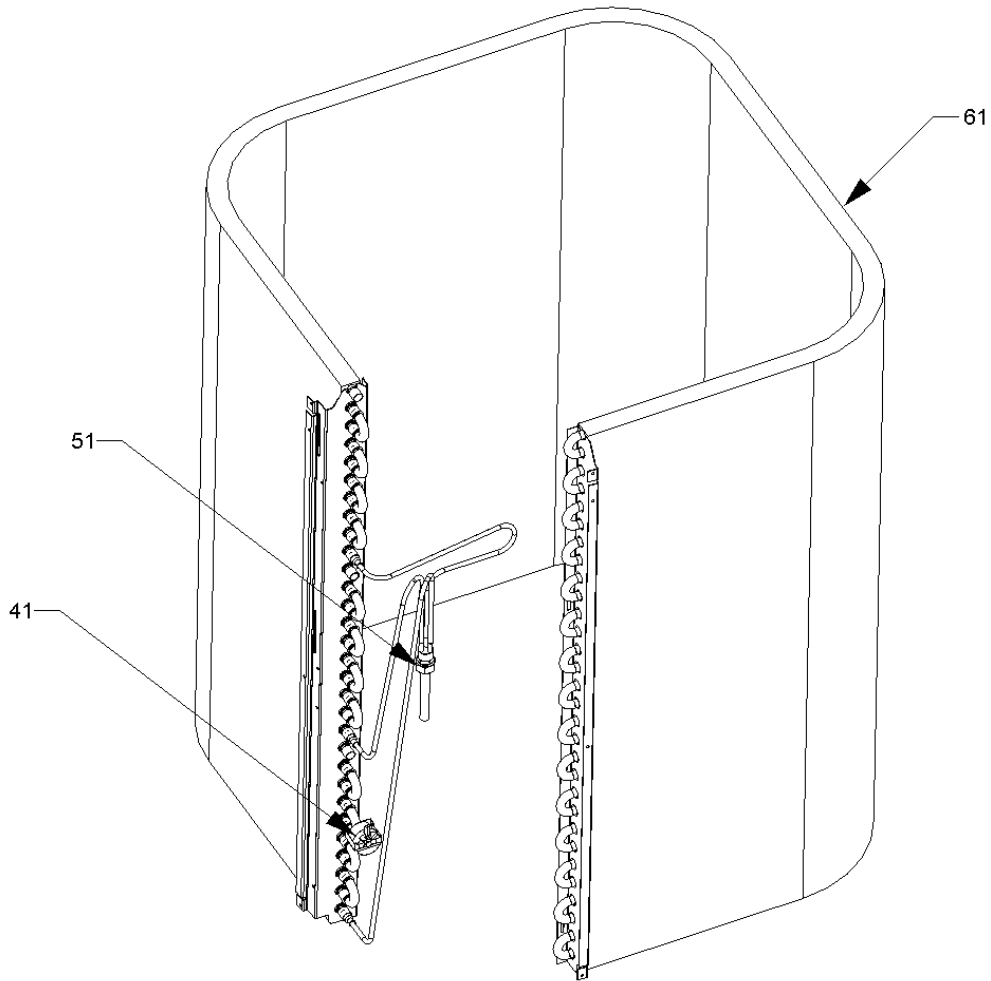
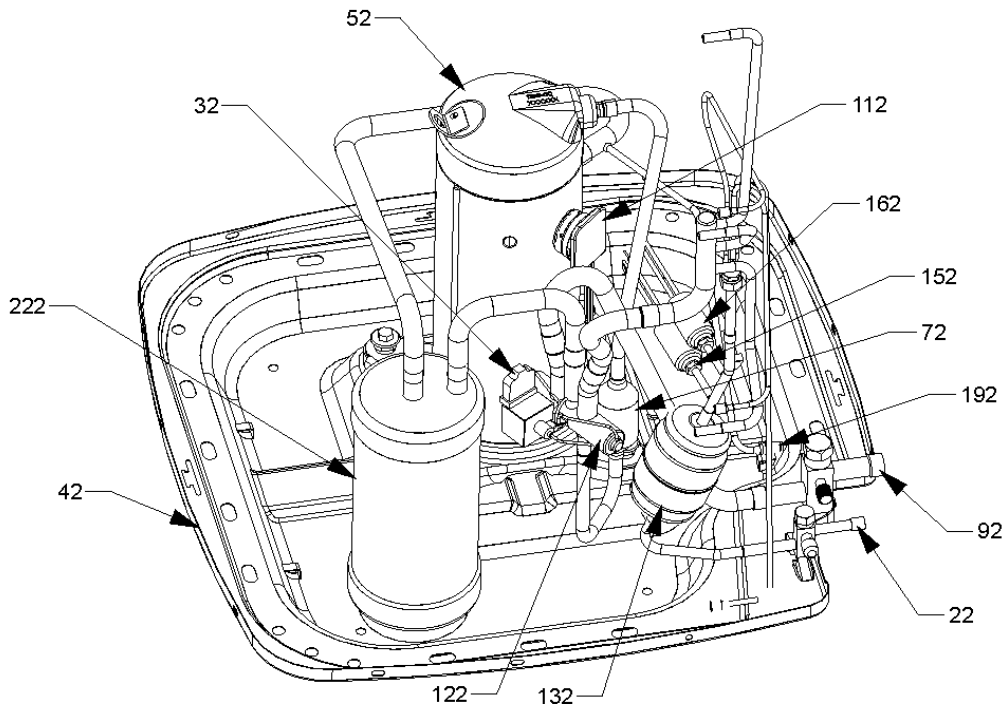


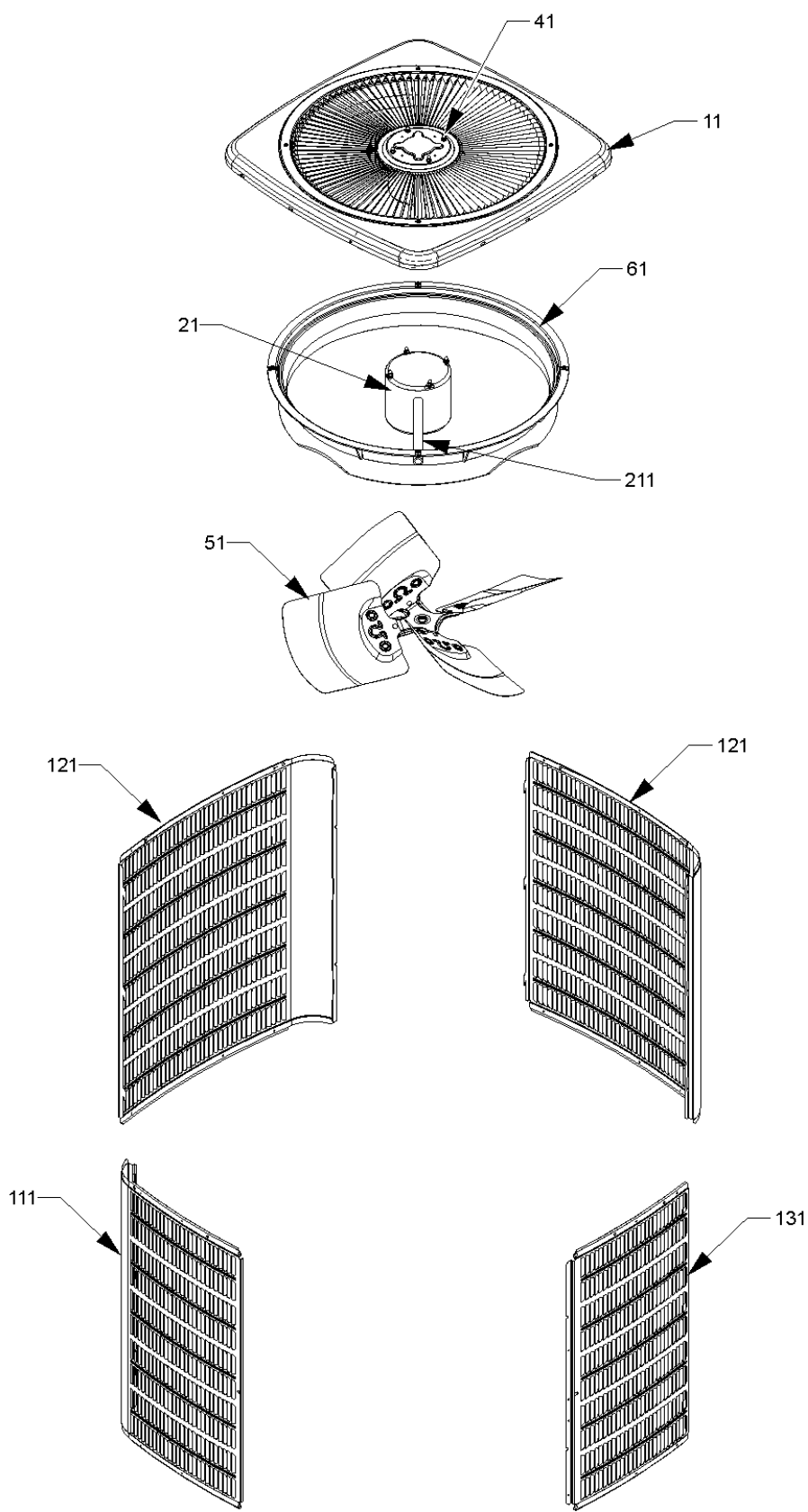
Image 2



# Compressor / Tubing Assembly

Ref Part No:	Description:	Ref. Part No:	Description:
<i>Image 1:</i>		222 0151R00004P	ACCUMULATOR 3/4 (M4)
41 B1370803	DEFROST THERMOSTAT	NS B1339533	COMPRESSOR GROMMET (QTY 4)
51 0162M00057	FLOWRATOR-3 .188 ST TUBE .039 (M1)	NS B1789849	FLOW CHECK PISTON KIT (M1)
51 0162M00058	FLOWRATOR-3 .188 ST TUBE .043 (M2)	NS B1789857	FLOW CHECK PISTON KIT (M2)
51 0162M00059	FLOWRATOR-3 .188 ST TUBE .049 (M3)	NS B1789863	FLOW CHECK PISTON KIT (M3)
51 0162M00068	FLOWRATOR-4 .188 ST TUBE .055 (M4)	NS B1789868	FLOW CHECK PISTON KIT (M4)
51 0162M00069	FLOWRATOR-4 .188 ST TUBE .059 (M5)	NS B1789874	FLOW CHECK PISTON KIT (M5)
51 0162M00070	FLOWRATOR-6 .188 ST TUBE .059 (M6)	NS B1789884	FLOW CHECK PISTON KIT (M6)
51 0162M00060	FLOWRATOR-8 .188 ST TUBE .065 (M7)	NS B1789888	FLOW CHECK PISTON KIT (M7)
61 0201R00150S	COND ASSY (M1)	NS B1225022S	SOLENOID COIL
61 0201R00151S	COND ASSY (M4)	NS M0221641	TF SHOULDER SCREW (QTY 4)
61 0201R00152S	COND ASSY (M5)	<b>Expanded Model Nomenclature</b>	
61 0201R00154S	COND ASSY (M6)	M1 - GSZ130181AB	
61 0201R00155	COND ASSY (M7)	M2 - GSZ130241AB	
61 0201R00156S	COND ASSY (M2)	M3 - GSZ130301AB	
61 0201R00157S	COND ASSY (M3)	M4 - GSZ130361AB	
<i>Image 2:</i>		M5 - GSZ130421AB	
22 B12825171	SERVICE VALVE 3/8" OPEN	M6 - GSZ130481AB	
32 B1225020	SOLENOID COIL CORD W/1/4" TERMINAL	M7 - GSZ130601AB	
42 0121R00005PDG	BASE PAN 26" (M1, M2, M3)		
42 0121R00006PDG	BASE PAN 29" (M4, M5, M6)		
42 0121R00007PDG	BASE PAN 35" (M7)		
52 ZP16K5EPFV830	COMPRESSOR 15500, 208/230/60/1 (M1)		
52 ZP21K5EPFV830	COMPRESSOR 21300, 208/230/60/1 (M2)		
52 ZP25K5EPFV830	COMPRESSOR 25200, 208/230/60/1 (M3)		
52 ZP31K5EPFV830	COMPRESSOR 31100, 208/230/60/1 (M4)		
52 ZP36K5EPFV830	COMPRESSOR 36200, 208/230/60/1 (M5)		
52 ZP39K5EPFV830	COMPRESSOR 39000, 208/230/60/1 (M6)		
52 ZP51K5EPFV830	COMPRESSOR 51000, 208/230/60/1 (M7)		
72 B1219301	MUFFLER 1/2 X 1/2		
92 0151R00002P	SERVICE VALVE 3/4" OPEN LEFT (M1, M2, M3, M4)		
92 0151R00003P	SERVICE VALVE 7/8" OPEN LEFT (M5, M6, M7)		
112 0159R00000P	COMPRESSOR SCROLL HARNESS 130 36" (M1, M2, M3)		
112 20048207	COMPRESSOR SCROLL HARNESS 130 42" (M4, M5, M6)		
112 0159R00002P	COMPRESSOR SCROLL HARNESS 130 46" (M7)		
122 B1227315S	REVERSING VALVE (M1, M2, M3)		
122 B1227316S	REVERSING VALVE (M4)		
122 B1227317S	REVERSING VALVE (M5, M6, M7)		
132 20485201	BI-FLOW FILTER DRIER		
152 0130R00001	CUTOUT SWITCH, LOW PRESSURE		
162 20322603	CUTOUT SWITCH, HIGH PRESSURE		
192 B1787000	VALVE CORE		
222 B1226206	ACCUMULATOR (M1, M2, M3)		
222 B1226207	ACCUMULATOR (M5, M6, M7)		

# Cabinet Top / Side Panels



# Cabinet Top / Side Panels

Ref Part No:	Description:	Ref. Part No:	Description:
--------------	--------------	---------------	--------------

Image 1:

11	0121R00008PDG	TOP PANEL 26" (M1, M2, M3)
11	0121R00010PDG	TOP PANEL 29" (M4, M5, M6)
11	0121R00012PDG	TOP PANEL 35" (M7)
21	0131M00061S	MOTOR 1/4 HP, 1 SP, 8 PL (M4, M5, M6, M7)
21	0131M00060S	MOTOR 1/6 HP, 1 SP, 8 PL (M1, M2, M3)
41	0163M00006P	ACORN NUT 5/16 HEX BLACK (QTY 4)
51	0150M00009S	FAN BLADE 20" (M1, M2)
51	0150M00012	FAN BLADE 20" CCW (M3)
51	0150M00008S	FAN BLADE 22" TNT2203-25 (M4, M5)
51	0150M00013	FAN BLADE 26" CCW (M7)
51	B1086765S	FAN BLADE TYPE 3 (M6)
61	0161R00006P	VENTURI RING 29" (M4, M5, M6)
61	0161R00007P	VENTURI RING 35" (M7)
111	0121R00015PDG	LOUVERED SIDE PANEL (M1, M2, M3)
111	0121R00025PDG	LOUVERED SIDE PANEL (M6)
111	0121R00027PDG	LOUVERED SIDE PANEL (M4, M5)
111	0121R00042PDG	LOUVERED SIDE PANEL (M7)
121	0121R00018PDG	LOUVERED SIDE PANEL (M1, M2, M3)
121	0121R00031PDG	LOUVERED SIDE PANEL (M6)
121	0121R00033PDG	LOUVERED SIDE PANEL (M4, M5)
121	0121R00046PDG	LOUVERED SIDE PANEL (M7)
131	0121R00021PDG	LOUVERED SIDE PANEL (M1, M2, M3)
131	0121R00037PDG	LOUVERED SIDE PANEL (M6)
131	0121R00039PDG	LOUVERED SIDE PANEL (M4, M5)
131	0121R00050PDG	LOUVERED SIDE PANEL (M7)
211	B1778800	CONDUIT-1/2" PVC

Expanded Model Nomenclature

M1 - GSZ130181AB
M2 - GSZ130241AB
M3 - GSZ130301AB
M4 - GSZ130361AB
M5 - GSZ130421AB
M6 - GSZ130481AB
M7 - GSZ130601AB